

## UF500/UF600: HIGH PERFORMANCE IMU BASED ON FOG



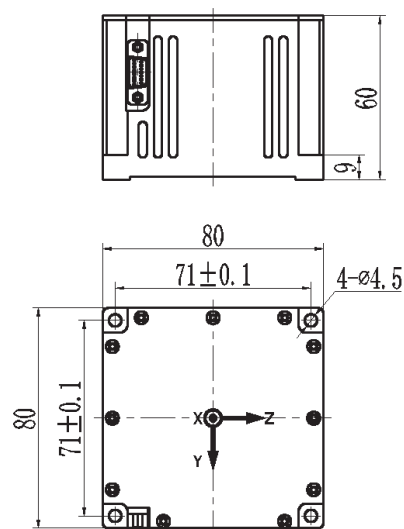
### ■ PRODUCT DESCRIPTION

UF500 and UF600 are high performance and cost-effective fiber optic gyroscopes based IMU combined with either with quartz flexible accelerometer or MEMS accelerometer, which can be used for navigation, control, and dynamic measurement. It has the advantages of small size, light weight, no moving parts, high reliability, and long service life. It can be widely used in aviation, aerospace, ships, weapons, coal mine measurement, automotive electronics and other fields.

### ■ PRODUCT MAIN SPECIFICATION

Parameters		UF500	UF600
<b>Gyroscope</b>			
Range	°/s	±360	±360
Zero bias stability	°/h,10s	≤0.1	≤0.1
Zero bias repeatability	°/h	≤0.8	≤0.8
Scale factor nonlinearity	ppm	≤100	≤100
Scale factor asymmetry	ppm	≤100	≤100
Scale factor repeatability	ppm	≤100	≤100
Angle random walk	°/√h	≤0.08	≤0.08
<b>Accelerometer</b>		Quartz Accl	MEMS Accl
Range	g	±50	±50
Zero bias stability	mg	≤0.02	≤0.05
Zero bias repeatability	mg	≤0.1	≤0.3
Scale factor nonlinearity	ppm	<100	<100
Scale factor repeatability	ppm	≤100	≤100
Angle random walk	m/sec/√h	≤0.007	≤0.01
<b>Others</b>			
Voltage Supply	V	+12~+36	
Power	W	<15	
Communication interface	/	RS422	
Update rate	Hz	200	
Weight	g	≤1000	
Working temperature	°C	-40~+70	
Storage temperature	°C	-55~+85	
Vibration	grms	6.06	
Shocking	g	15/11ms, 1/2sine	

### ■ PRODUCT DIMENSION



SIZE: 80\*80\*60MM

### ■ PRODUCT APPLICATION

- Stabilization platform equipment
- Crane bin and guide head
- Coal mine measurement
- Petroleum geological logging
- Ship navigation attitude measurement
- Underwater navigation
- North finding instrument