

AVI-C: HIGH OUTPUT FREQUENCY V/F CONVERSION CIRCUIT



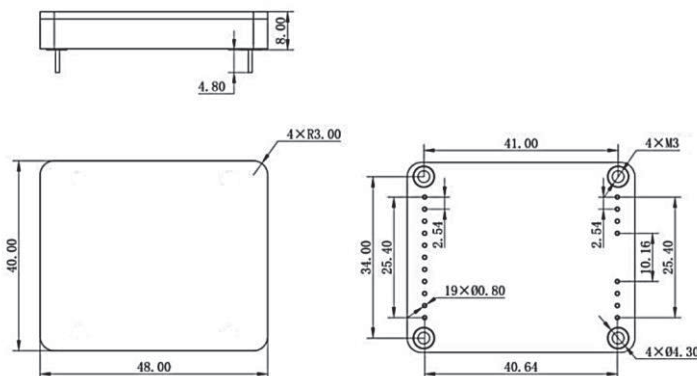
■ PRODUCT DESCRIPTION

The AVI-C-series V/F conversion module is a high-precision voltage/frequency converter that uses charge integration to continuously convert the current signals of three accelerometers simultaneously. The components used in this series of products are all 100% domestically produced, with a range of up to $\pm 80\text{mA}$. It has the characteristics of small size, low power consumption, low temperature, and autonomous controllability.

■ PRODUCT MAIN SPECIFICATION

Specification	Test conditions	Minimum	Typical	Maximum	Unit
Maximum output frequency	Full temperature	-	-	512	kHz
Zero position F_0	Full temperature	0	60	100	nA
Zero stability	Constant temperature test		10	20	ppm
Scale factor temperature coefficient	Full temperature range	-	1	2	ppm/ $^{\circ}\text{C}$
Scale factor asymmetry	$I = \pm 1\text{mA}$, $T_c = 25^{\circ}\text{C}$	0		30	ppm
Scale factor comprehensive nonlinearity	Full temperature range $1\text{mA} \leq I \leq \text{FS}$	-	30	50	ppm
Small signal error	$0.01\mu\text{A} \leq I \leq 1\text{mA}$			0.5	Hz
Stability during one power on	$I = \pm 1\text{mA}$, $T_c = 25^{\circ}\text{C}$		10	20	ppm
Repeatability of successive power on	$I = \pm 1\text{mA}$, $T_c = 25^{\circ}\text{C}$		10	20	ppm
Working temperature range T_c		-45		85	$^{\circ}\text{C}$
Product dimension	48*40*8				mm
Interface form	Dual in-line plug lead out				

■ PRODUCT DIMENSION



Size: 48*40*8mm